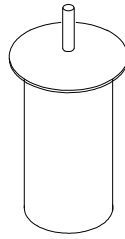
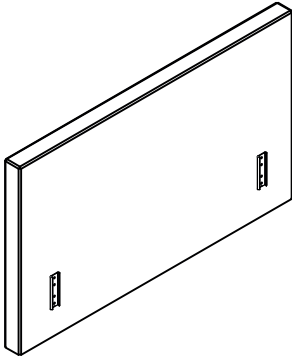


BOXSPRING FIX

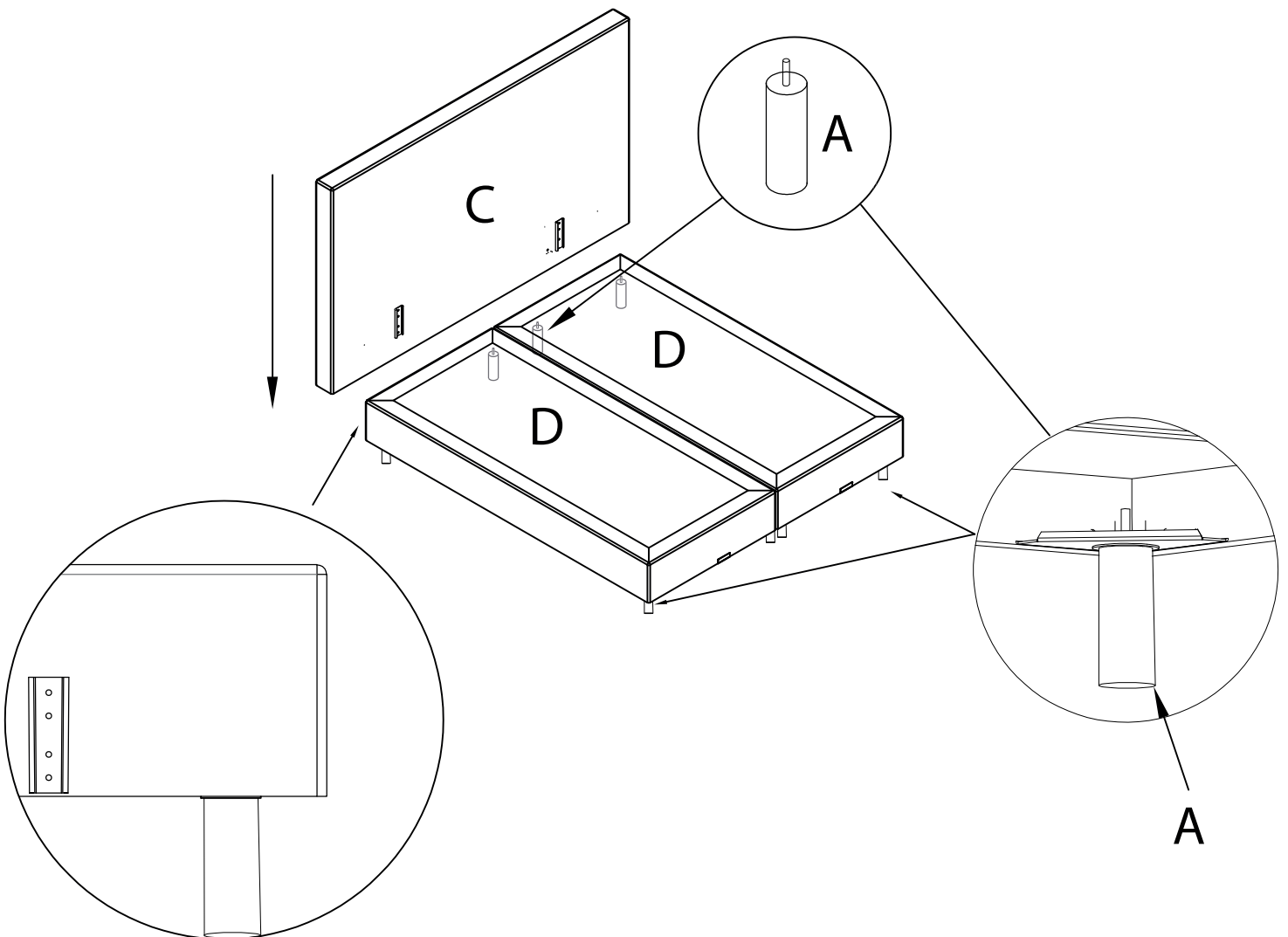
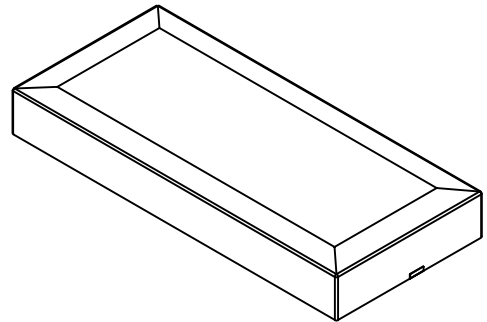
Ax8



Cx1

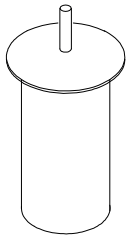


Dx2

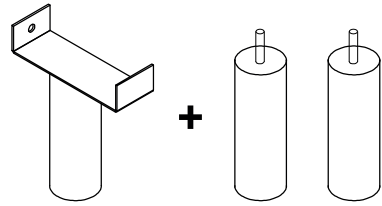


BOXSPRING FIX + ZWEVENDE POTENSET

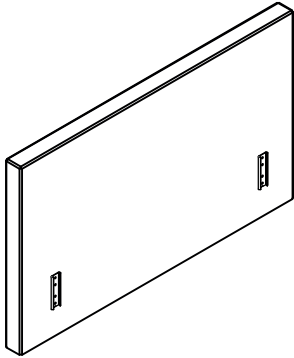
Ax4



Bx1



Cx1



Dx2

